

**Item**

S03A117-WSWSC1830H31  
meteor AB surface-mount spotlight white

**General**

LED HO 3000K 31W 3850lm 15° DALI  
passive cooling, protection glass

**Illuminant**

LED HO  
EEC A++  
Colour rendering index (CRI) > 80

**Dimension**

DMxH: 0117x290mm

**Surface/Colour**

white  
powder-coated aluminium with fine matte finish

**Lens**

Radiation angle: 15°

**Protection rating**

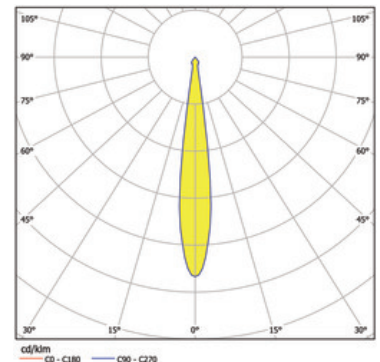
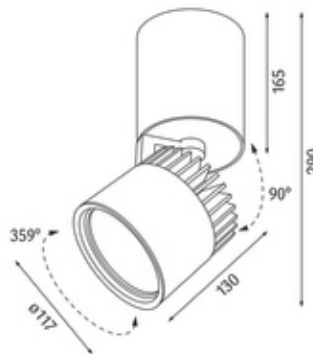
IP20 / Protection class I

**Connection**

230V 50/60Hz  
incl. converter DALI

**Weight**

1,9 kg



**Product-Information**

Surface-mount LED spotlight constructed out of die-cast aluminium in matte white, particularly designed for lighting sales and presentation areas. Latest generation of LED technology with an efficiency of 123 lm per W and a luminous flux of 3850 lm with 31 W and a colour temperature of 3000 K. Aluminium reflector with matte longitudinal segments. Emittance angle . Replacement of the reflector without any tools through the bayonet fastener. Reflector head swivelling up to 90° and rotatable up to 359°. Passive cooling provided by a heat-sink made of extruded aluminium in white. Complete spotlight including reflector and DALI dimmable converter, colour Rendering Index (CRI) > 80, rated lifetime of minimum 60.000 h [according to EU decree No. 1194/2012], Energy Efficiency Index (EEI) A++. Ingress Protection IP20, Protection Class I. A honeycomb glare protection is an option. Dimensions: DMxH: 0117x290 mm, Weight: 1,9 kg