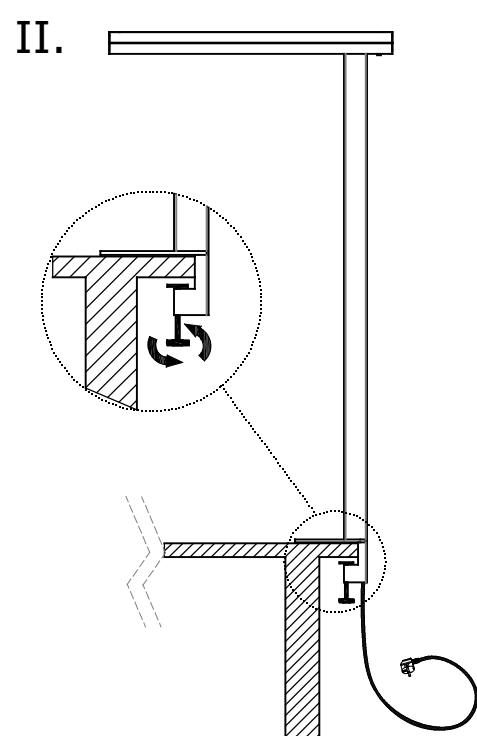
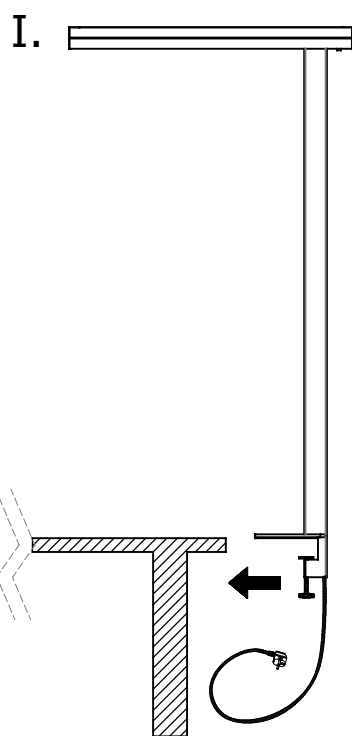
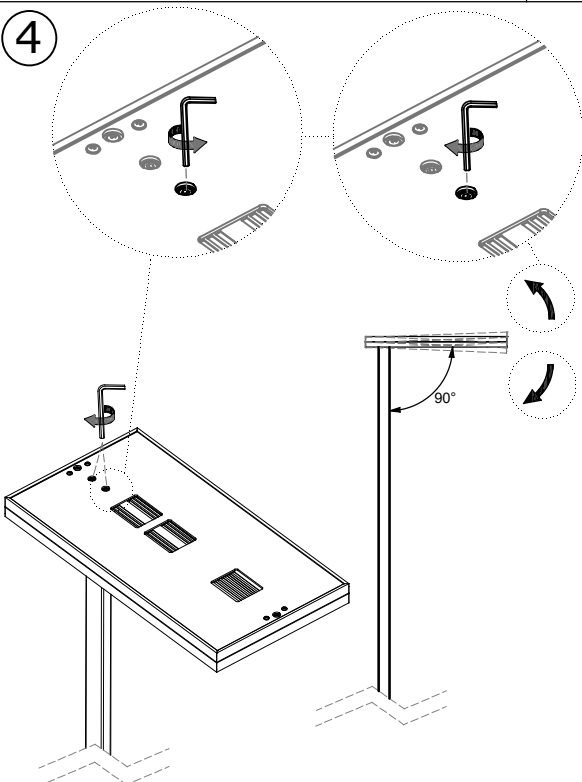
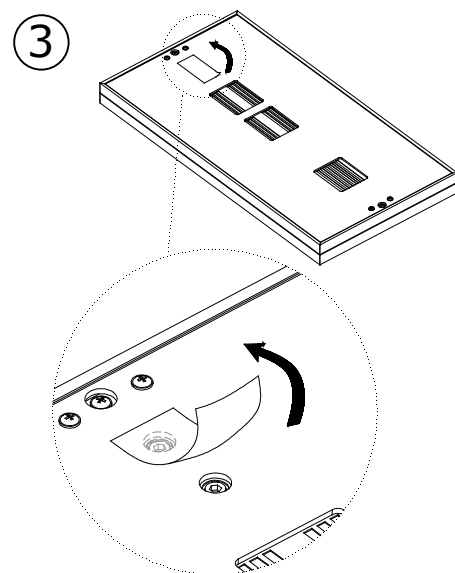
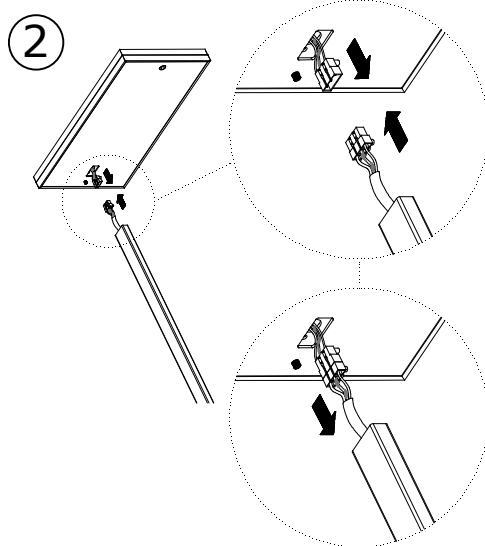
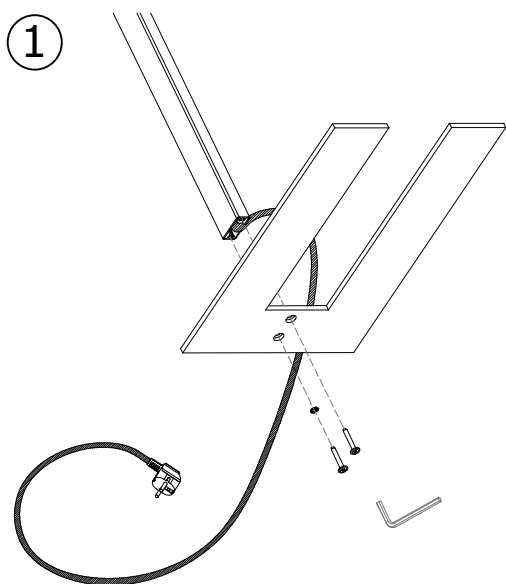
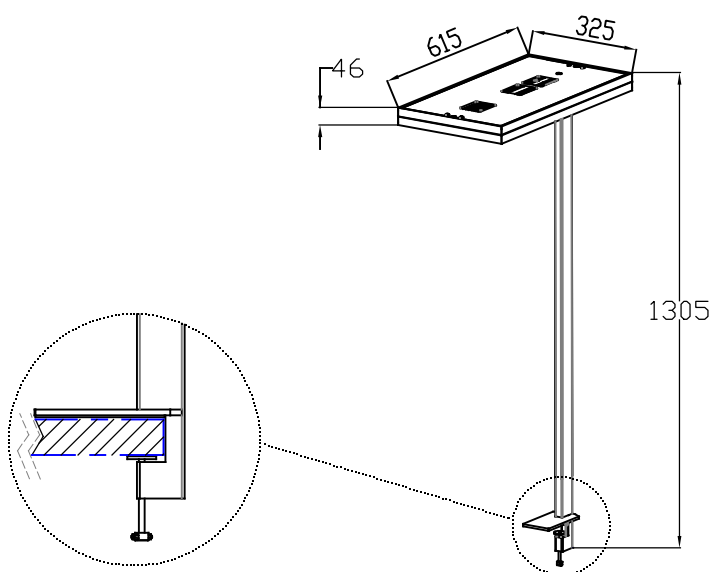
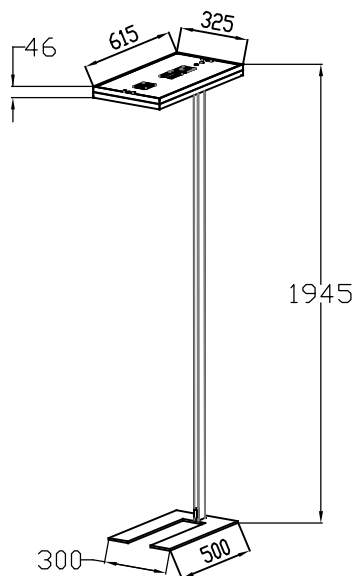
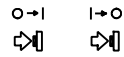
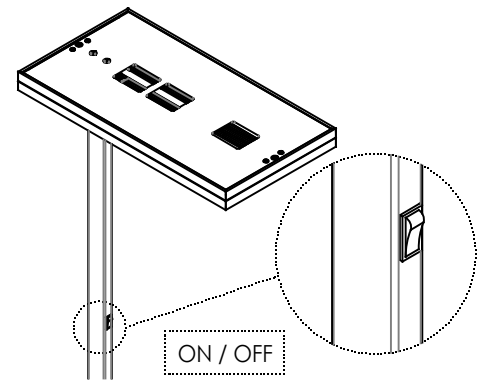
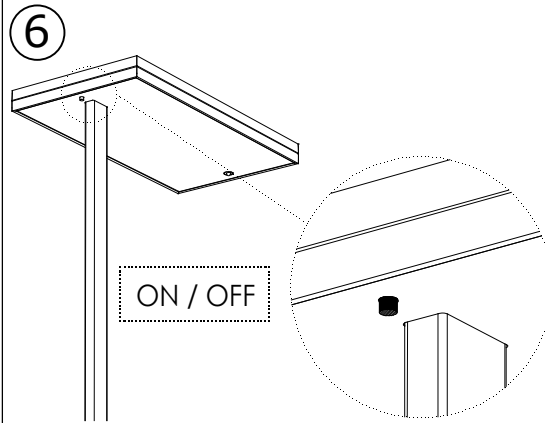
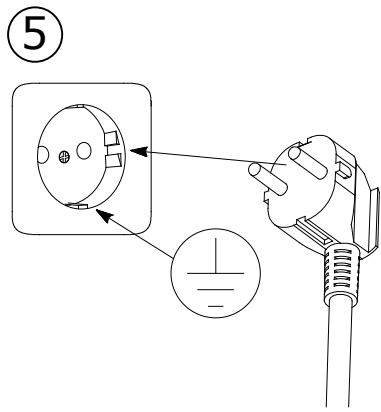




LED





Switching luminaire on and off

Via short press.

Note: The luminaire is first switched on with minimum brightness. If a setpoint is predefined for brightness control, the brightness is controlled automatically.

Changing the brightness manually

Via long press.

Note: The brightness control is deactivated until the next time the luminaire is switched on. Each repeated long key button press causes a toggle between increased brightness and decreased brightness.

Specifying set value for brightness control

Specifying the set value activates the brightness control.

- ① Set the desired brightness.
- ② Double-click
- ③ Confirmation: luminaire flashes.

Deactivating brightness control

- ① Switch off if necessary.
- ② Double-click
- ③ Confirmation: maximum brightness.

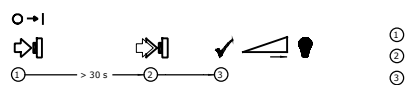
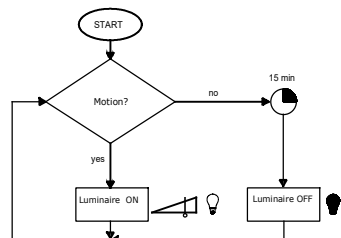
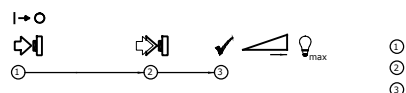
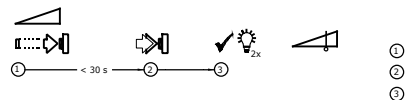
Principle of motion detection

Note: If the luminaire is switched off manually using the pushbutton, the luminaire will not switch on again automatically via the motion sensor until after a period of 1 minute elapses. After this period expires, the next motion switches the luminaire on.

Deactivating the motion detection

- ① Switch on if necessary.
- ② Double-click
- ③ Confirmation: luminaire switches off.

Note: The next time the luminaire is switched on via the pushbutton, the motion detection is activated again.



Symbols

	Pushbutton on the luminaire		Luminaire on
	Switch on		Luminaire off
	Switch off		Luminaire flashes
	Short press (< 0.5 s)		Brightness with automat. control
	Long press (0.5 - 4 s)		Confirmation of the setting
	Double-click		Manual dimming

○ If the external cord of this luminaire is damaged, it shall be exclusively replaced by the manufacturer or his service agent or a similar qualified person in order to avoid hazard.

○ The light source of this luminaire is not replaceable, when the light source reaches its end of life the whole luminaire shall be replaced.

○ The installation may only be carried by authorised specialist. Always switch-off the power supply before carrying out any maintenance.

○ Die Leuchtenmontage kann nur von autorisiertem Fachpersonal durchgeführt werden. Vor der beliebigen Wartungsausführung die Einspeisung abschalten.

○ The manufacturer is not responsible for the incorrect use and assembly of its products.

○ Der Hersteller trägt keine Verantwortung für eine falsche Verwendung des Produktes.