

Item

S10E115-BBWSC1830L14
zenit M recessed rigid 'high-gloss silver'

General

white LED LO 3000K 10W 1107lm 40°
UGR16 DIN EN 12464-1.2021-11

Screen-compatible workplace luminaire according to
DIN EN 12464-1

with luminance under 1000 cd/m²
anti-glare cone 'high-gloss silver'

Illuminant

LED LO

Colour rendering index (CRI)80

Blue light hazard RG1 IEC 62471

MacAdam 3

Dimension

DMxH: 115x115mm

Cut-out DMxD: 100x131mm

Surface/Colour

powdercoating RAL9016 white fine matte
aluminium

Lens

Radiation angle: 40°

Protection rating

IP20 / Protection class II

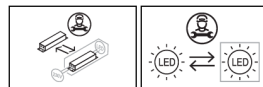
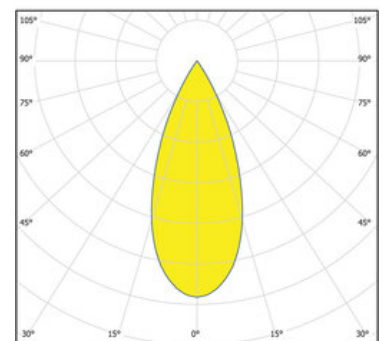
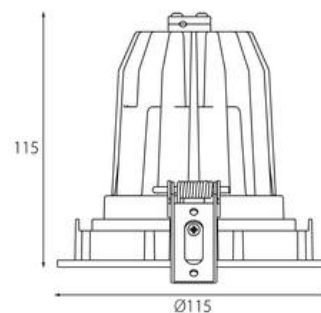
Connection

230V 50/60Hz

incl. converter

Weight

0,6 kg


Product-Information

recessed spotlight LED rigid constructed out of die-cast aluminium in powdercoating RAL9016 white fine matte with an anti-glare cone 'high-gloss silver', particularly designed for lighting sales and presentation areas. constructed out of die-cast aluminium powdercoating RAL9016 white fine matte with an anti-glare cone 'high-gloss silver' (reflective tube colour), particularly designed for lighting sales and presentation areas. Luminaire equipped with the latest generation of LED module with an efficiency of lumens per watt producing a luminous flux of lumens at W, colour temperature of K, colour rendering index (CRI) > 80, rated lifetime of minimum 50.000 h [according to EU decree No. 1194/2012], glare rating according to classification according to DIN EN 12464-1.2021-11 with UGR < 16, screen-compatible workplace luminaire according to DIN EN 12464-1 (luminance at 65° ≤ 1000 cd/m²), small colour tolerance MacAdam 3, blue light hazard risk group RG1 IEC 62471, ingress protection, protection class. Faceted aluminium reflector, emission characteristic of °, with passive cooling, electrical connection through 3 used pins, converter included, honeycomb glare protection, an oval spot lens, a clear protective glass or a blur glass is optionable. Switch option: A, light source replaceable by authorized professional, control gear replaceable by authorized professional, dimensions: DMxH: 115x115 mm Cut-out DMxD: 100x131 mm, Weight: 0,6 kg