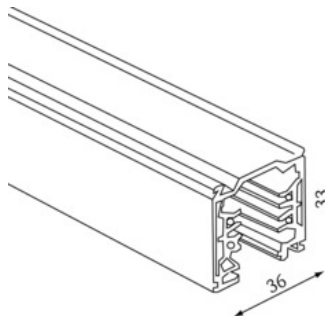


**Item**

676003SW  
Surface-mount track 3-phases 3000mm

**General**

black LxWxH: 36x33mm  
für Euroadapter  
Surface/Colour black  
Material: aluminium  
Protection rating: IP20



**Product-Information**

Surface-mount track 3-phases, 3000mm, black, 3000mm, für Euroadapter, Ingress Protection IP20, protection class I / LxWxH: 36x33 mm,