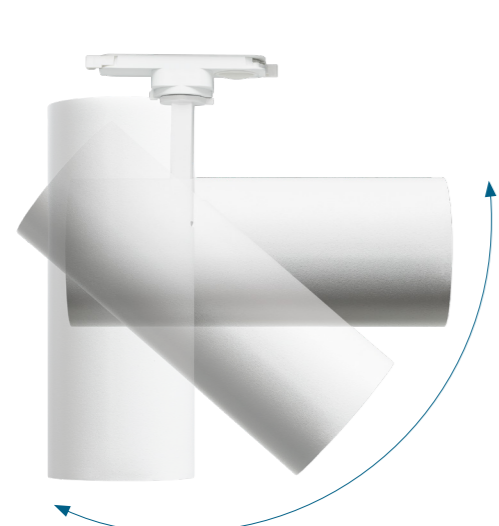
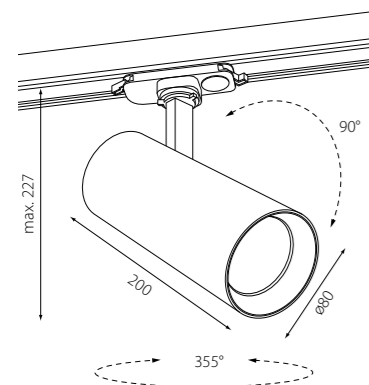


zenit M

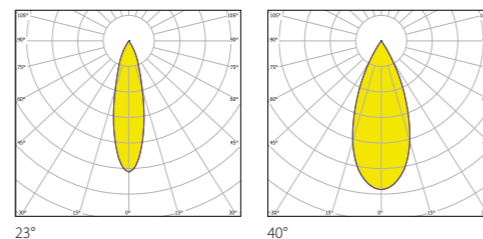
Strahler | Spotlight | Projecteur | Proiettore



Flexibility: rotatable up to 355°, adjustable up to 90°



Reflektortausch werkzeuglos möglich.
Passive Kühlung. Komplettrahler inklusive Reflektor und Konverter.
Replacement of the reflector without any tools.
Passive cooling. Complete spotlight including reflector and converter.
Remplacement du réflecteur sans outil.
Refroidissement passif. Projecteur complet incluant réflecteur et convertisseur.
Sostituzione del riflettore senza utensili.
Raffreddamento passivo. Proiettore completo incluso riflettore e convertitore.



A++ A 230V IP20 $R_g > 80/90$ up to L90/50.000h MacAdam 3 DALI

LED
2700K, 3000K, 3500K, 4000K
Food & Fashion
up to 127 lm/W
 $R_g > 80/90$, MacAdam 3
non-dim / DALI
Blue light hazard: RGs1 IEC 62471

Optic
Reflector: 23°, 40°
Flexibility
rotatable up to 355°, adjustable up to 90°
Lifetime
up to L90/50.000h

Options
Honeycomb glare protection
Oval spot lens
Clear protective glass
Blur glass

Housing
powder coated
white
black

zenit M

S10S200-1 C1 2 3 4 5

1 Gehäusefarbe | Housing colour | Couleur du luminaire | Colore profilo

weiß | white | blanc | bianco **WSWS**
schwarz | black | noir | nero **SWSW**

2 Farbtemperatur | Colour temperature | Température de couleur | Temperatura colore

LF830 3000K	830
LF840 4000K	840
LF927 2700K	927
LF930 3000K	930
LF935 3500K	935
LF940 4000K	940
LF932 3250K Fashion	FAS
Backwaren Bakery goods Boulangerie Prodotti da forno	BAC
Fleisch Meat Boucherie Carne	FLE
Wurstwaren Sausage products Charcuterie Salumi	WUR
Fisch Fish Poissonnerie Pesche	FIS
Gemüse Vegetables Légumes Verdura	FRU

3 Output

low output	L
medium output	M
high output	H
very high output	V

4 non-dim, DALI

non-dim	1
DALI Eutrac 3	3
DALI Global pulse	G

5 Reflektor | Reflector | Réflecteur | Riflettore

23°	2
40°	4

Beispiel | Example | Exemple | Esempio

white, LF940, high output, DALI Global, 40°

S10S200-WSWSC1940HG4

Luminous Flux (lm)	low output				medium output				high output				very high output			
	23°	23°	23°	23°	40°	40°	40°	40°	40°	40°	40°	40°	40°	40°	40°	40°
LF830 3000K	1111	1322	1931	2505	1106	1315	1917	2482	1106	1315	1917	2482	1106	1315	1917	2482
LF840 4000K	1180	1404	2049	2658	1163	1384	2022	2624	1163	1384	2022	2624	1163	1384	2022	2624
LF927 2700K	900	1071	1564	2029	898	1068	1564	2018	898	1068	1564	2018	898	1068	1564	2018
LF930 3000K	944	1121	1629	2102	952	1130	1643	2120	952	1130	1643	2120	952	1130	1643	2120
LF935 3500K	967	1151	1687	2196	974	1159	1696	2203	974	1159	1696	2203	974	1159	1696	2203
LF940 4000K	976	1161	1696	2199	988	1174	1713	2219	988	1174	1713	2219	988	1174	1713	2219
FAS (LF932 3250K)	880	1047	1531	1988	879	1045	1522	1969	879	1045	1522	1969	879	1045	1522	1969
BAC	604	716	1037	1333	598	710	1034	1336	598	710	1034	1336	598	710	1034	1336
FLE	604	717	1038	1334	597	709	1030	1328	597	709	1030	1328	597	709	1030	1328
WUR	570	679	994	1293	568	676	990	1287	568	676	990	1287	568	676	990	1287
FIS	924	1100	1607	2087	923	1097	1598	2067	923	1097	1598	2067	923	1097	1598	2067
FRU	774	930	1403	1879	769	924	1396	1875	769	924	1396	1875	769	924	1396	1875

System Power (W)	low output	medium output	high output	very high output
zenit M	9W	11W	17W	22W

Weight (kg)	zenit M
	1,0kg

QUICK VIEW

LF930 3000K	9W	12W	17W	22W
23°	944lm	1121lm	1629lm	2102lm
40°	952lm	1130lm	1643lm	2120lm



Optionales Zubehör | Optional accessory | Accessoire optionnel | Accessori opzionali

Blendschutz-Wabenraster Honeycomb glare protection Filtre anti-éblouissement nid d'abeilles Filtro anti-abbagliamento a nido d'ape	S10-BLE-80
Ovalzeichnerlinse Oval spot lens Lentille ovalisante Lenti ovalizzanti	S10-OZL-80
Klares Schutzglas Clear protective glass Verre de protection transparent Vetro di protezione trasparente	S10-SGL-80
Weichzeichnerglas Blur glass Verre effet flou Vetro con effetto sfocatura	S10-WGL-80

