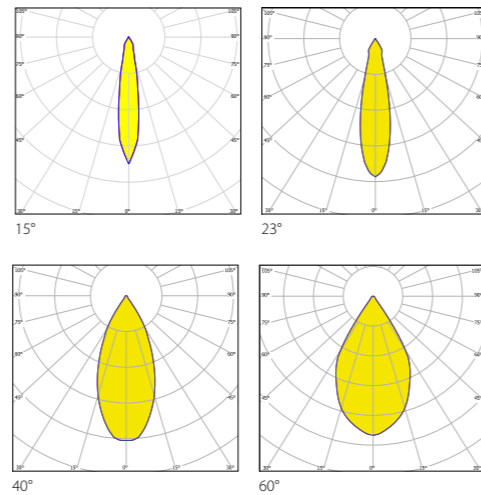
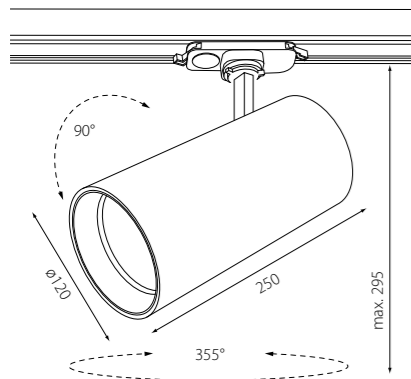


zenit L

Strahler | Spotlight | Projecteur | Proiettore



Flexibility: rotatable up to 355°, adjustable up to 90°



Reflektortausch werkzeuglos möglich.
Passive Kühlung. Komplettrahler inklusive Reflektor und Konverter.
Replacement of the reflector without any tools.
Passive cooling. Complete spotlight including reflector and converter.
Remplacement du réflecteur sans outil.
Refroidissement passif. Projecteur complet incluant réflecteur et convertisseur.
Sostituzione del riflettore senza utensili.
Raffreddamento passivo. Proiettore completo incluso riflettore e convertitore.



230V IP20 $R_g > 80/90$ up to L90/50.000h MacAdam 3 DALI

LED
2700K, 3000K, 3500K, 4000K
Food & Fashion
up to 139lm/W
 $R_g > 80/90$, MacAdam 3
non-dim/DALI
Blue light hazard: RGs1 IEC 62471

Optic
Reflector: 15°, 23°, 40°, 60°
Flexibility
rotatable up to 355°, adjustable up to 90°
Lifetime
up to L90/50.000h

Options
Honeycomb glare protection
Oval spot lens
Clear protective glass
Blur glass

Housing
powder coated
white
black

S10S250-1 C1 2 3 4 5

zenit L

1 Gehäusefarbe | Housing colour | Couleur du luminaire | Colore profilo
weiß | white | blanc | bianco **WSWS**
schwarz | black | noir | nero **SWSW**

2 Farbtemperatur | Colour temperature | Température de couleur | Temperatura colore
LF830 3000K **830**
LF840 4000K **840**
LF927 2700K **927**
LF930 3000K **930**
LF935 3500K **935**
LF940 4000K **940**
LF932 3250K Fashion **FAS**
Backwaren | Bakery goods | Boulangerie | Prodotti da forno **BAC**
Fleisch | Meat | Boucherie | Carne **FLE**
Wurstwaren | Sausage products | Charcuterie | Salumi **WUR**
Fisch | Fish | Poissonnerie | Pesce **FIS**
Gemüse | Vegetables | Légumes | Verdura **FRU**

3 Output
low output **L**
medium output **M**
high output **H**

4 non-dim, DALI
non-dim **1**
DALI Eutrac 3 **3**
DALI Global pulse **G**

5 Reflektor | Reflector | Réflecteur | Riflettore
15° **1**
23° **2**
40° **4**
60° **6**

Beispiel | Example | Exemple | Esempio
white, LF940, high output, DALI Eutrac, 60°
S10S250-WSWC1940H36

Luminous Flux (lm)	low output	medium output	high output	low output	medium output	high output	low output	medium output	high output	low output	medium output	high output
	15°	15°	15°	23°	23°	23°	40°	40°	40°	60°	60°	60°
LF830 3000K	2436lm	3121lm	3784lm	2358lm	3022lm	3667lm	2300lm	2941lm	3558lm	2308lm	2954lm	3579lm
LF840 4000K	2619lm	3336lm	4023lm	2527lm	3236lm	3923lm	2455lm	3137lm	3794lm	2470lm	3161lm	3828lm
LF927 2700K	1967lm	2523lm	3063lm	1911lm	2451lm	2975lm	1855lm	2377lm	2884lm	1851lm	2384lm	2907lm
LF930 3000K	2087lm	2684lm	3266lm	2038lm	2608lm	3289lm	1999lm	2557lm	3096lm	2010lm	2574lm	3120lm
LF935 3500K	2170lm	2788lm	3391lm	2123lm	2716lm	3289lm	2073lm	2656lm	3222lm	2093lm	2677lm	3242lm
LF940 4000K	2185lm	2794lm	3382lm	2128lm	2724lm	3300lm	2083lm	2665lm	3226lm	2096lm	2684lm	3253lm
FAS (LF932 3250K)	1891lm	2424lm	2941lm	1841lm	2353lm	2847lm	1790lm	2291lm	2776lm	1800lm	2306lm	2797lm
BAC	1284lm	1641lm	1984lm	1247lm	1591lm	1920lm	1214lm	1594lm	1872lm	1221lm	1560lm	1887lm
FLE	1271lm	1623lm	1961lm	1238lm	1581lm	1911lm	1206lm	1542lm	1867lm	1211lm	1548lm	1873lm
WUR	1237lm	1581lm	1919lm	1203lm	1540lm	1865lm	1171lm	1499lm	1816lm	1176lm	1507lm	1828lm
FIS	1995lm	2557lm	3103lm	1942lm	2482lm	3003lm	1888lm	2417lm	2929lm	1899lm	2433lm	2951lm
FRU	1774lm	2282lm	2778lm	1744lm	2234lm	2708lm	1697lm	2177lm	2643lm	1706lm	2190lm	2661lm

System Power (W)	low output	medium output	high output
zenit L	19W	25W	30W

Weight (kg)	zenit L
zenit L	1,78kg

QUICK VIEW

LF930 3000K	19W	25W	30W
15°	2087lm	2684lm	3266lm
23°	2038lm	2608lm	2159lm
40°	1999lm	2557lm	3096lm
60°	2010lm	2574lm	3120lm



Optionales Zubehör | Optional accessory | Accessoire optionnel | Accessori opzionali

Blendschutz-Wabenraster Honeycomb glare protection Filtre anti-éblouissement nid d'abeilles Filtro anti-abbagliamento a nido d'ape	S10-BLE-120
Ovalzeichnerlinse Oval spot lens Lentille ovalisante Lenti ovalizzanti	S10-OZL-120
Klares Schutzglas Clear protective glass Verre de protection transparent Vetro di protezione trasparente	S10-SGL-120
Weichzeichnerglas Blur glass Verre effet flou Vetro con effetto sfocatura	S10-WGL-120